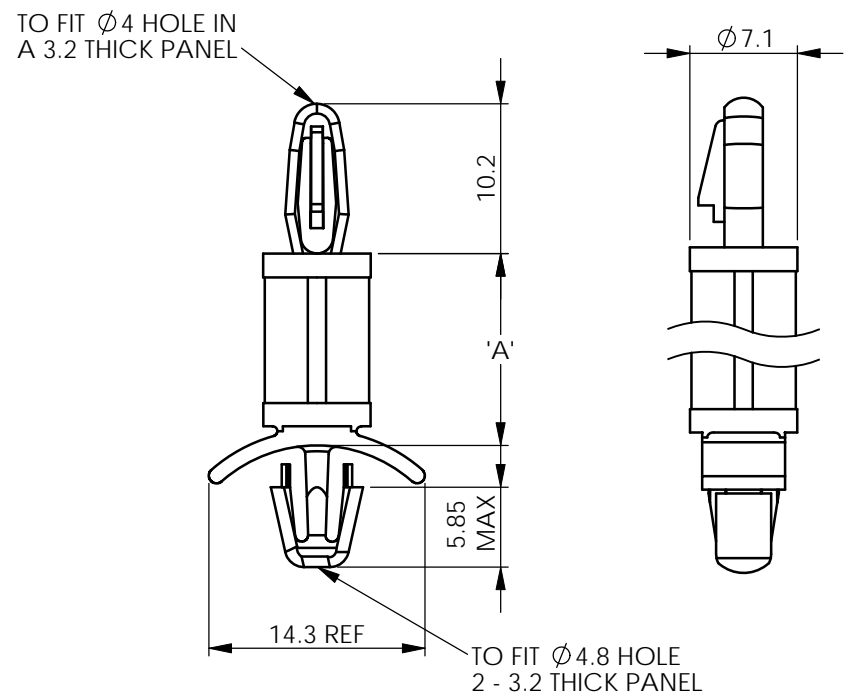


REV.	MODIFICATION.	DATE	DRN
03	CO2011026	29/11/10	SF



PART NUMBER		DIM 'A'
NYLON 6/6 UL94-V2(RMS-01)	NYLON 6/6 UL94-V0(RMS-19)	
LCBS-6-3-01	LCBS-6-3-19	4.8
LCBS-6-4-01	LCBS-6-4-19	6.4
LCBS-6-5-01	LCBS-6-5-19	7.9
LCBS-6-6-01	LCBS-6-6-19	9.5
LCBS-6-7-01	LCBS-6-7-19	11.1
LCBS-6-8-01	LCBS-6-8-19	12.7
LCBS-6-10-01	LCBS-6-10-19	15.9
LCBS-6-12-01	LCBS-6-12-19	19.1
LCBS-6-14-01	LCBS-6-14-19	22.2
LCBS-6-16-01	LCBS-6-16-19	25.4
LCBS-6-18-01	LCBS-6-18-19	28.6
LCBS-6-20-01	LCBS-6-20-19	31.8
LCBS-6-22-01	LCBS-6-22-19	34.9

INFORMATION CONTAINED IN THIS DOCUMENT IS CONFIDENTIAL TO RICHCO INTERNATIONAL Co. Ltd. AND MAY NOT BE DISCLOSED OR REPRODUCED IN WHOLE OR PART WITHOUT THEIR WRITTEN CONSENT.

RICHCO, INC.
WWW.RICHCO-INC.COM

ALL DIMENSIONS IN mm
GENERAL TOLERANCES ±0.25
UNLESS OTHERWISE STATED
1 DECIMAL PLACE ±
2 DECIMAL PLACES ±
ANGULAR ±1°

THIRD ANGLE

MATERIAL: See table COLOUR: NATURAL

DESCRIPTION: LOCKING CIRCUITBOARD SUPPORT PART No: See Table

DRG No: 100-0601 NPR No: SHEET SIZE A4

DRN SF	DATE 29/11/10	CHKD TC	DATE 29/11/10	SCALE NTS	SHEET No. 1 OF 1
-----------	------------------	------------	------------------	--------------	---------------------